

(Weight Limit 30KGS)



12 Volt RC Ride-On Car

Owners Manual With Assembly Instructions

WARNING: ASSEMBLY SHOULD BE DONE BY ADULTS



WARNING!

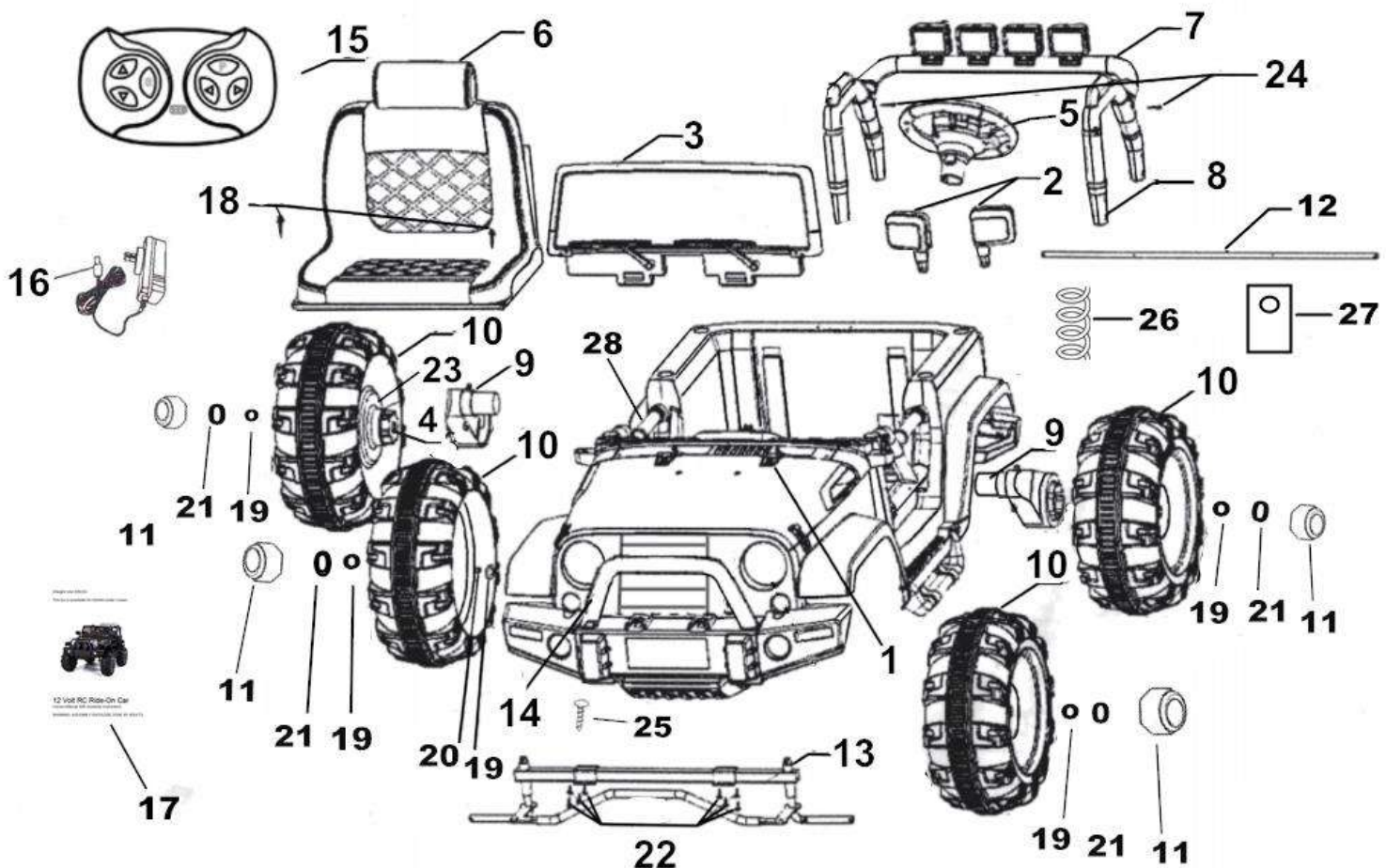
- To reduce the risk of injury, adult supervision is required. Never use in roadways, near motor vehicles, on or near steep inclines or steps, swimming pools or other bodies of water. Always wear shoes and a helmet.
- Never allow more than 1 riders.
- TO PREVENT FIRE AND ELECTRIC SHOCK:**
- Only use battery and charger provided and specified by manufacturer. Use of the wrong type of battery for charger could cause a fire or explosion.
- DO NOT** use the battery or charger for any other product. Overheating, fire or explosion could occur.
- NEVER** modify the electric circuit system. Alterations could cause a shock, fire or explosion.
- DO NOT** allow any type of liquid on the battery or its components. Explosive gases are created during charging.
- DO NOT** charge near heat or flammable materials. Charge in a well ventilated area ONLY. Charge the battery in a dry area ONLY.
- DO NOT** open the battery. Battery contains lead acid and other materials that are toxic and corrosive
- DO NOT** open the charger. Exposed wiring and circuitry inside case may cause electric shock
- ONLY ADULTS** may handle or charge the battery. NEVER allow child to handle or charge the battery. Battery is heavy and contains lead acid (electrolyte)
- DO NOT** drop the battery. Permanent damage to the battery could occur or cause serious injury.
- Before charging the battery, check for wear or damage to the battery, charger and the connectors.
- DO NOT** charge the battery if any damage to parts has occurred. Replace with manufacturer's parts ONLY.
- DO NOT** allow the battery to drain completely; recharge the battery after each use or once a month if not used regularly.
- DO NOT** charge battery upside down.
- Always secure the battery with the bracket. Battery can fall out and injure a child if the vehicle tips over. Risk of fire. Do not bypass.
- If a battery leak develops**, avoid contact with the leaking acid and place the damaged battery in a plastic bag. See information in "Disposal of Battery" for proper disposal.
- If acid comes in contact with skin or eyes**, flush with cool water for at least 15 minutes and call a physician.
- If acid is internally ingested**, give water, milk of magnesia or egg-white immediately. Call a physician.

Specification instruction

| Name | Specification |
|-------------|-------------------|
| Battery | 12V7AH*1 |
| Fuse | 15A |
| Motor | 12V*2 |
| Suit age | 3-7 years old |
| Maxweight | 30KG |
| Charge time | Charge 8-12 hours |
| Charger | 12V1000MA |
| Speed | 3-6KM/h |

※Above parameters are customer optional, the actual parameter subject to physical entity.

Parts List



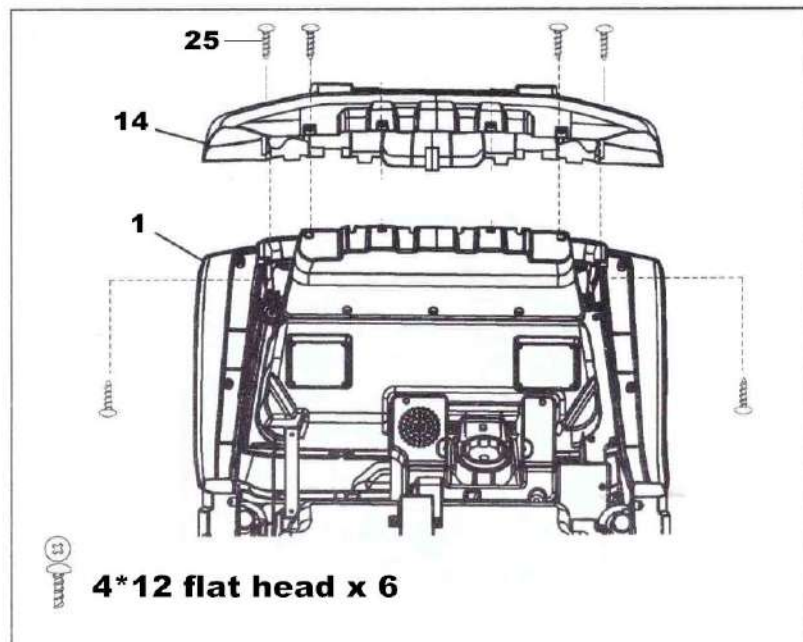
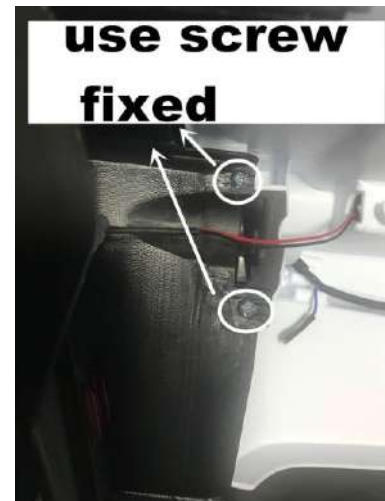
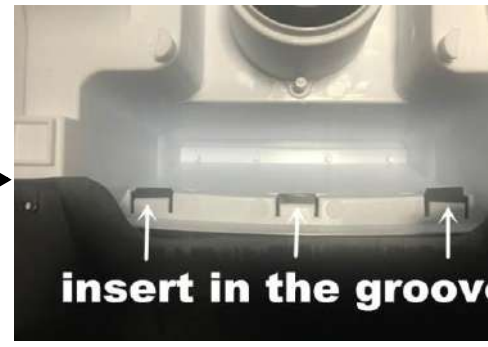
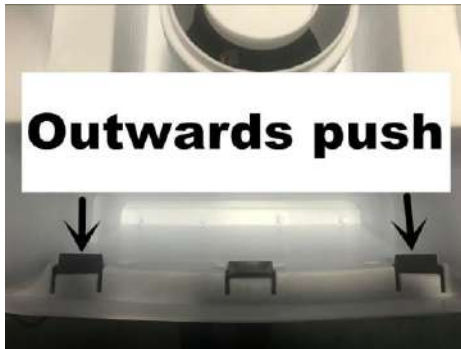
Parts List

| No. | Name of accessory | Qty | No. | Name of accessory | Qty |
|-----|----------------------------------|-----|-----|--|-----|
| 1 | Car body | 1 | 16 | Charger | 1 |
| 2 | Rearview mirror | 2 | 17 | Instructions | 1 |
| 3 | Air shield plate | 1 | 18 | Fix screw of seat (4*12 flat head) | 2 |
| 4 | Driven connector (Rear wheel) | 2 | 19 | M10 washer of wheel | 6 |
| 5 | Steering wheel | 1 | 20 | Shaft bushing of wheel | 2 |
| 6 | Seat | 1 | 21 | M10 anti-loose nut of wheel | 4 |
| 7 | Rear tail frame | 1 | 22 | Fix screw of front wheel shaft (4*12 flat head) | 8 |
| 8 | Side tail frame | 2 | 23 | Fix screw of drive plum blossom (4*12 round head) | 6 |
| 9 | Driven motor | 2 | 24 | Fix screw of back tail frame (3*12 round head) | 2 |
| 10 | Wheel | 4 | 25 | Fix screw of front bumper (4*12 flat head) | 6 |
| 11 | Wheel cover | 4 | 26 | Shocking proof spring | 2 |
| 12 | Rear wheel shaft | 1 | 27 | Shocking proof plastic parts | 2 |
| 13 | Front wheel shaft | 1 | 28 | Car door | 2 |
| 14 | Front bumper | 1 | | | |
| 15 | Remote controller | 1 | | | |

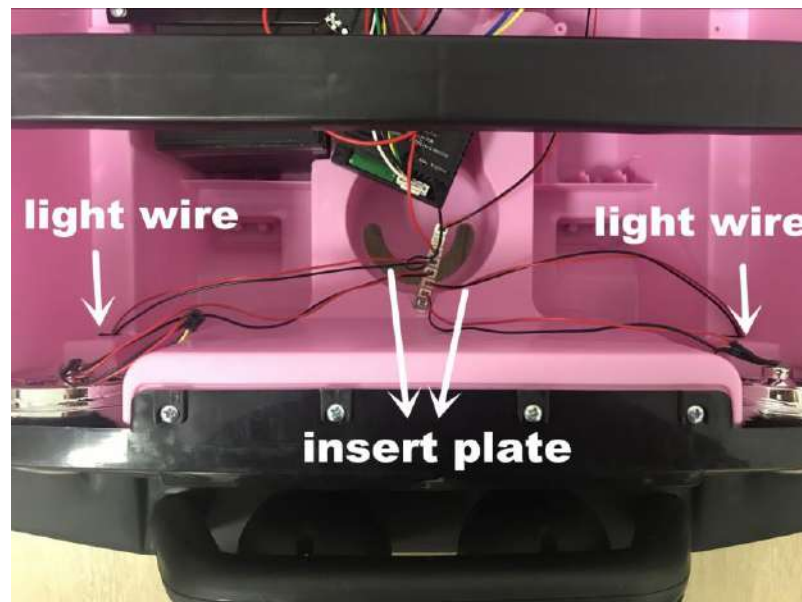
Installation instruction

1. Install front bumper

① Outwards push the front air cover fastener which already installed on car body well, then make the groove of front bumper align to this and insert in, the front bumper align to the screw hole of car body, use six pieces 4*12 flat head screw fixed.



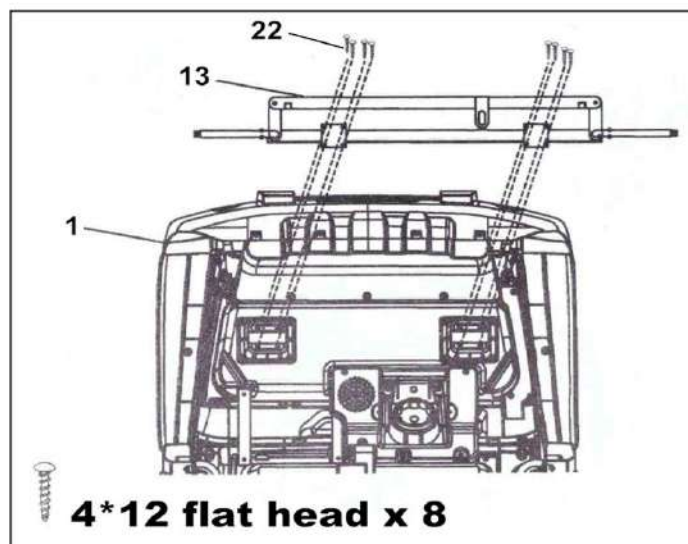
② The left/right front headlight wire pass through the holes at both side under the vehicle, align to the inner insert plate at vehicle head, inserted then OK.



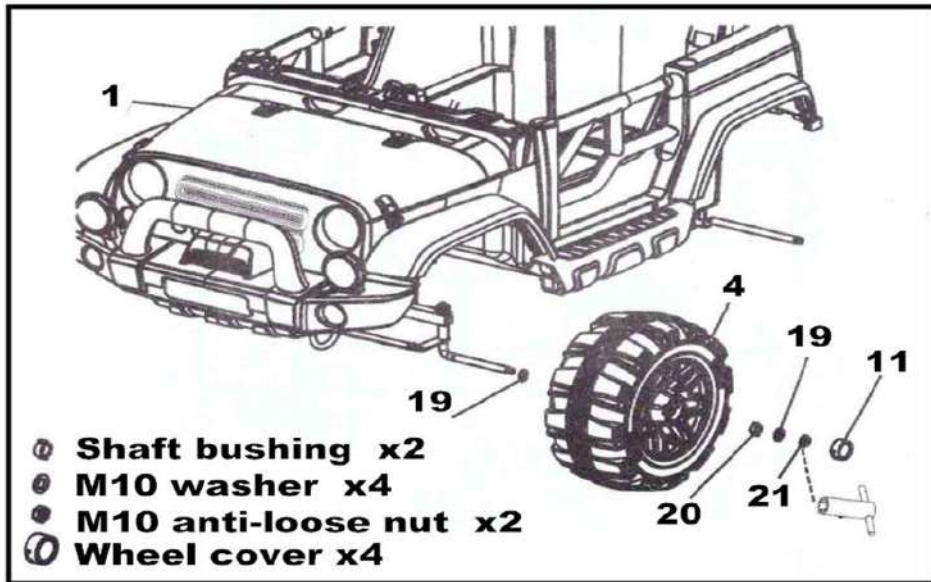
2. Install front wheel and rear wheel

① Install front wheel:

1) Make the front wheel shaft align to car body screw hole, fixed by 8 pieces 4*12 screws.



2) Each place one M10 pad on the front wheel shaft at both side, each put one shaft bush (Black plastic) in two wheels respectively, then install these two wheels on the front wheel shaft respectively, then each place one M10 pad on out side of rear wheels, use one anti loose nut fixed finally .Press the wheel cover on the wheel.Press the wheel cover on the wheel then OK.

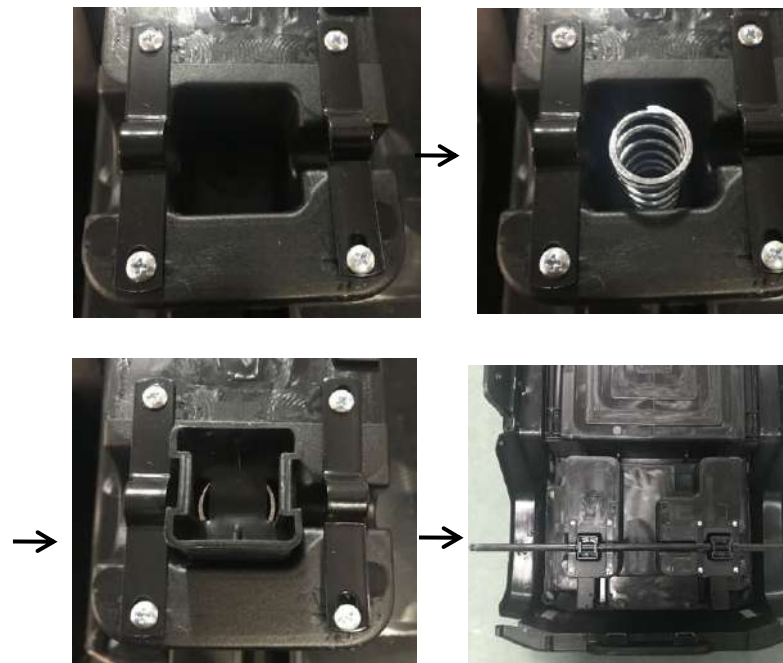
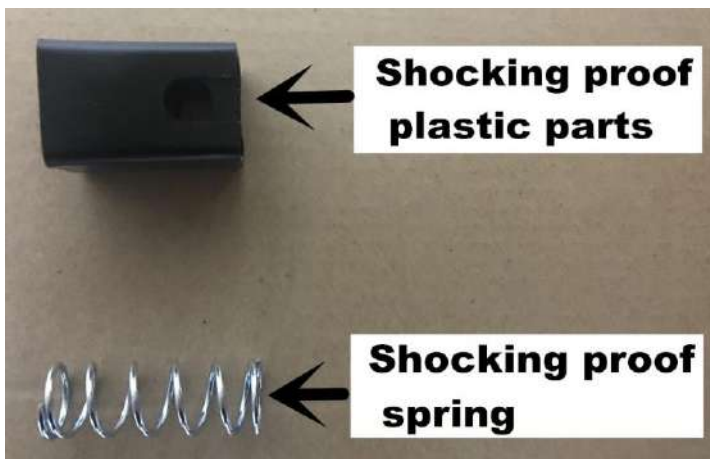


② Install rear wheel:

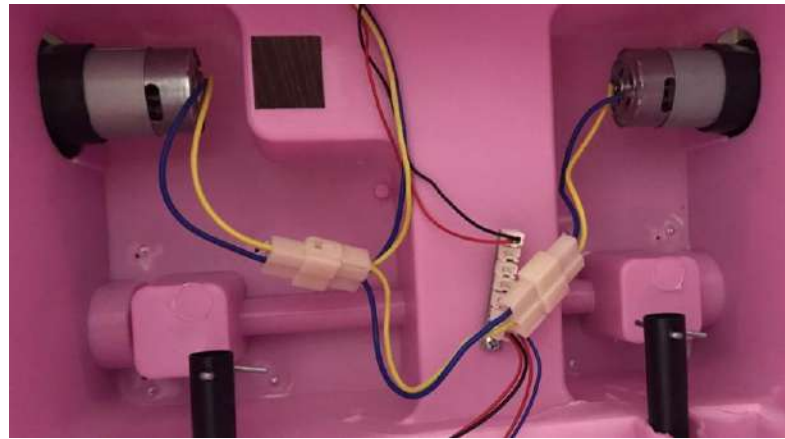
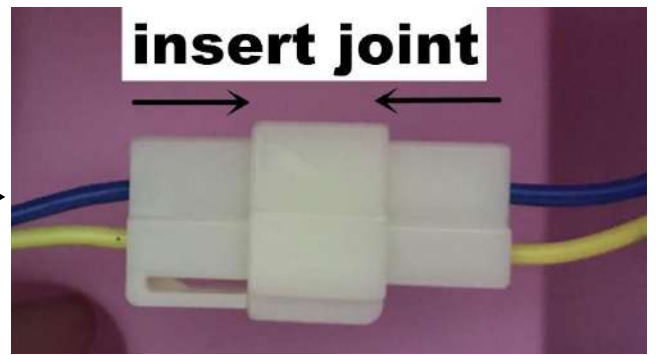
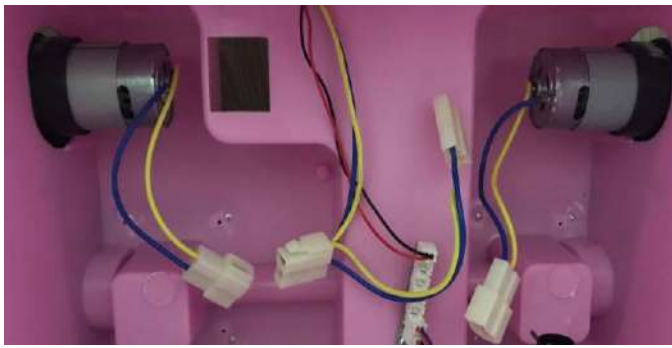
1) First make the rear wheel drive plum blossom align to the screw hole of wheel, use 3 piece 4*12 round head screw fixed (total installed two wheels according to these steps)



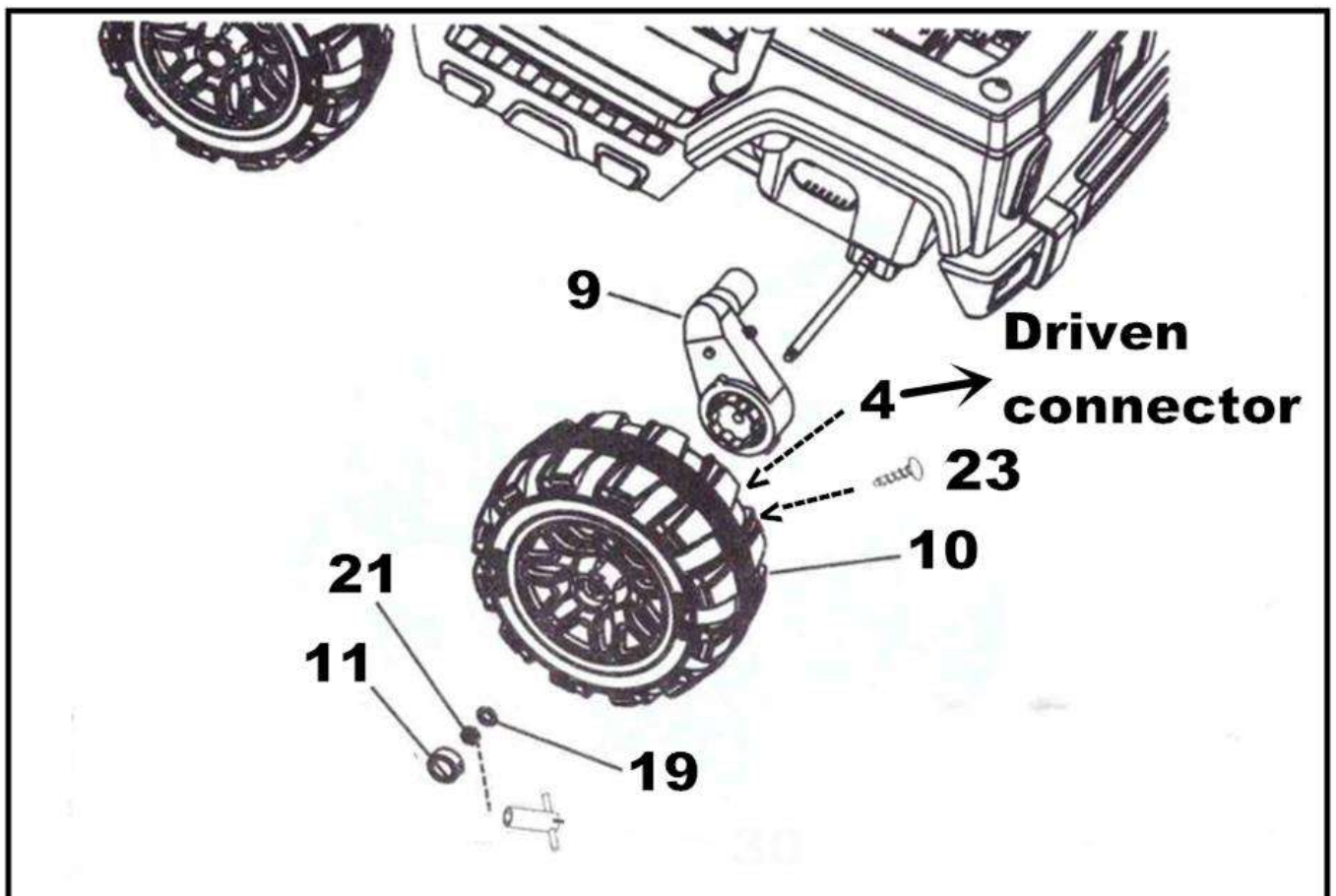
2) Place shocking proof spring and shock proof plastic parts in the groove of car body, then the rear wheel shaft align to car body and pass through the hole at both side.



3) The rear wheel shaft align to car body and pass through the hole at both side, "L" motor installed at left side, "R" motor installed at right side, then insert motor joint, each install one wheel which already installed plum blossom well at left/right both sides of rear wheel shaft respectively, (One side of the drive plum blossom inward match with gear box).



4) Then each place one M10 pad at both side, use one M10 anti loose nut fixed .Press the wheel cover on the wheel.Press the wheel cover on the wheel then OK.



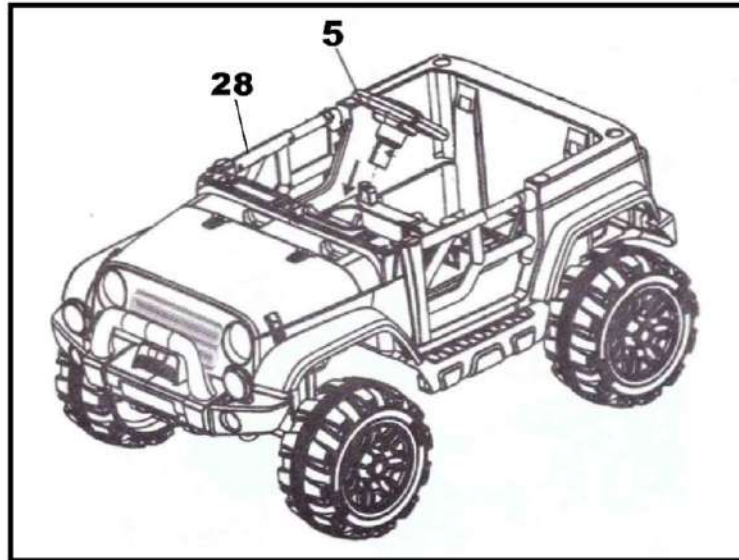


3. Install car door and steering wheel

① Install car door steering wheel :Loose the fix screw at both side of instrument panel, make the car door align to the car body and placed well, then make the steel sheet on the car door insert into the instrument panel, tighten the fix screw of instrument panel then OK.



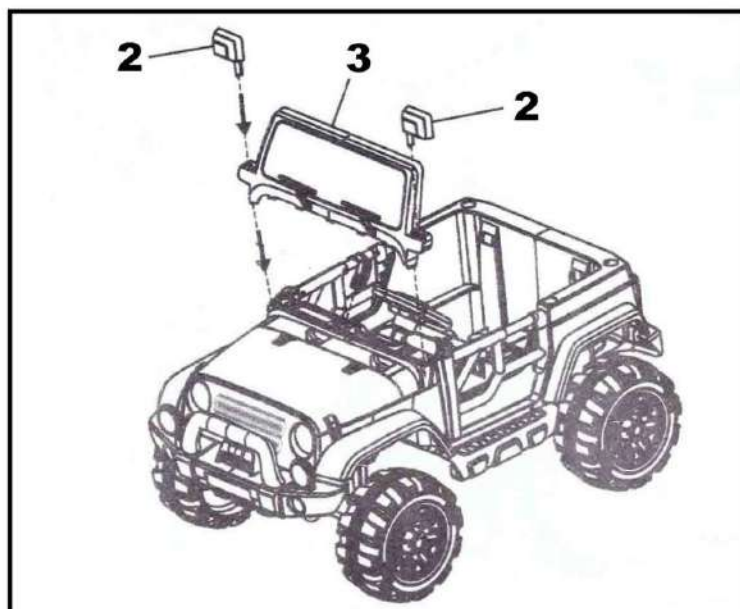
② Install steering wheel: Push into steering wheel after SM terminal on steering wheel align and insert well with SM terminal of body, then align the steering wheel at correct position then insert into car and hooked well then OK, don't force beat the key of steering wheel during assemble process. (pay attention the wire can't be seizing during installation)



4. Install air shield plate and rearview mirror

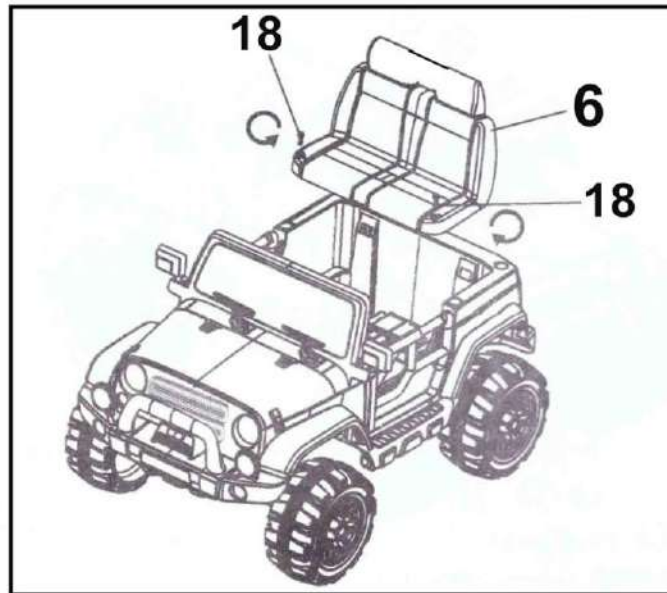
① Install air shield plate: Shown as the picture, make the air shield plate align to the position and install according to the arrow position, force downward press down it, clamp in the position well then OK.

② Install reflect mirror: Shown as the picture, force clamp to the right position after align the position of left/right rearview mirror well (Attention differentiate left/right part) then OK.



5. Install seat

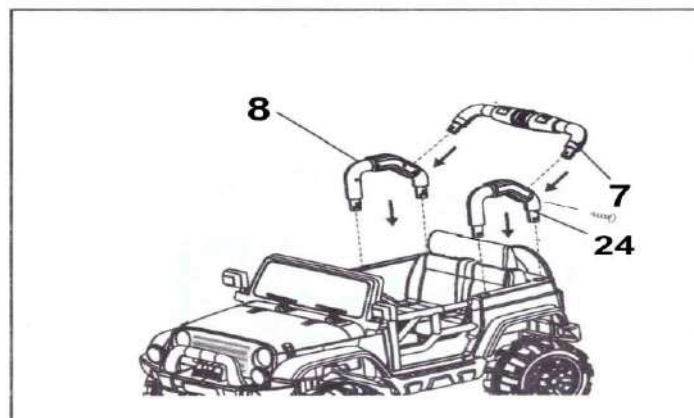
Make the hook at back of the seat align the position well shown as the picture, use two pieces 4*12 flat head screw fixed after place in the position (Screw hole of seat align to car body screw hole) then OK.



6. Install side tail frame and rear tail frame

① **Install side tail frame:** shown as the picture, the side tail frame align position well, force downward press down it according to the arrow direction, clamp to the right position then OK. (Please confirm the front/back direction in advance before installation then install)

② **Install rear tail frame:** shown as the picture, the rear tail frame align the position well and after both sides parallel insert into the side tail frame, used two pieces 3*12 round head screws fixed well then OK. (Attention that must parallel insert into the right position first then fixed the screws)



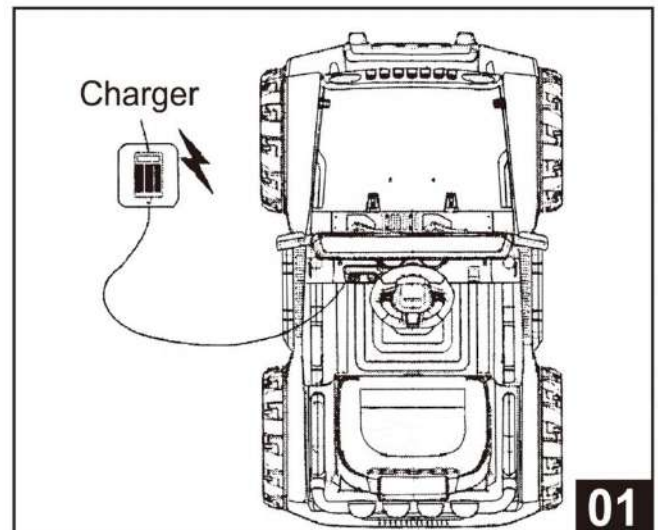
Instruction

1. Use of storage battery

① Open the hood, take off the protecting bush (white plastic) of storage battery joint, plug in the storage wire (red line match red line, black line match black line), then storage battery power on.



② Please charge the storage battery in time when the quantity of electricity of storage battery not enough. The charge socket locate at the down left position of car's instrument panel. (Attention that toys can't be operated under the charging status. Charge should be supervised by the adult)



2. Use method of manual/remote control and lighting and music

After the driver sit and tie the life belt well, press down the power supply switch, car's instrument lamp lighting and send start voice (2-5 seconds), set the forward, stop and backward switch at "D position" (means forward push) step pedal switch, the car move forward, loose the pedal, car stopped; place switch at "P position"(Means middle position), the car can't running; switch placed at "R" position (means backward pull) step pedal switch, the car backward, loose the pedal, car stopped. Remote control first when at remote control status (Means remote control can control manual), press "P" key, the car emergency braked (Now is manual, the going functional of remote control invalid), press P key again then release the emergency brake. I/O switch is car lamp switch, switch set "1" car lamp lighting. Switch set "0" then car lamp closed. MP3 multiple functional player can play the music, will play different music when press different lamps. Long time press "V+" is add volume. Long time press "V-" is reduce volume. The steering wheel control the left/right direction. Will send different voice after press the key on different keys.

MP3 player

Forward/stop/backward

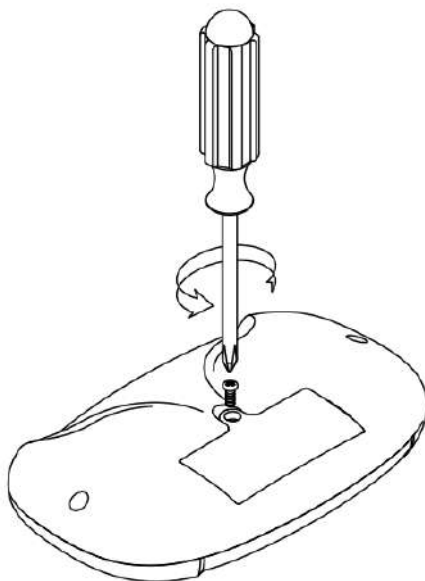


light switch

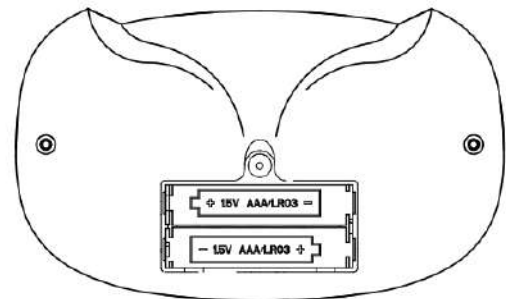
Music/suona button

3. Install and use storage battery of remote controller

① Install battery: open the battery cover which on the remote control, install two pieces AAA (1.5V)(#7) dry battery, pay attention at polarity of battery when installing. Cover the battery cover and use screws fixed (please follow above steps when renewal the battery, need adult renewal it. Please don't mix use the new and old batteries or different batteries. Should take away the exhausted batteries from the toys in time.)



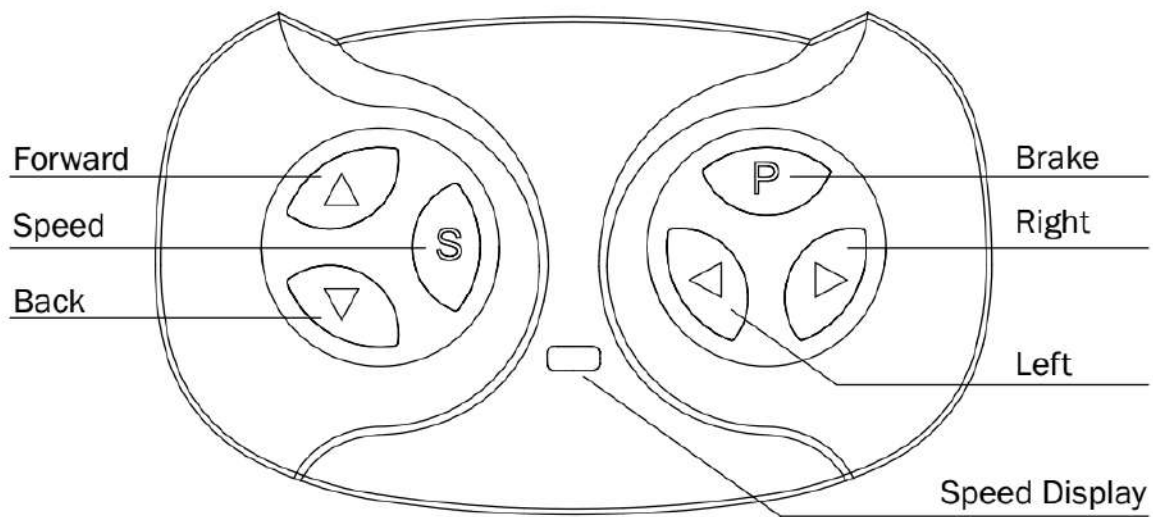
Loosen a screw



Load two AAA(1.5V) batteries

② use method:

- First time use need to match code, this product has memory function. Replace battery is unnecessary match code.
- Hold down "▲" & "▼" keys for 3 seconds start match code, The first LED flicke.
- Turn on the car body power now, The first LED lit up, Match code Success
- Remoter 10 seconds not run will be standby, Press any key wake up.
- Keys caption: "▲" Forward, "▼" Back, "◀" Left, "▶" Right, "S" Speed, "P" Brake. Press "S" key set up speed (1 led lit up is low speed, 2 leds lit up is medium speed, 3 leds lit up is high

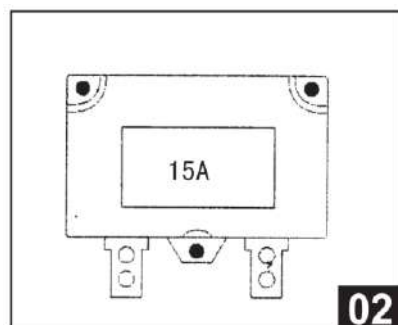


WARNING!

1. Not for children under 3 years. Small parts. Choking hazard.
2. The remote controller only can be used with adult's guidance.
3. Load two AAA(1.5V)batteries according to the diagram.
4. Non-rechargeable batteries are not to be recharged.
5. Different types of batteries or new and used batteries are not to be mixed.
6. Batteries are to be inserted with the correct polarity.
7. Exhausted batteries are to be removed from the toy.
8. The supply terminals are not to be short-circuited.
9. Should take away the exhausted batteries from the toys, and handle well, prevent played by children and caused harm.
10. The packaging must be retained since it contains important information.

4. Use of the recoverable type fuse

This car use 15A recoverable type fuse, will automatic shut off the power supply when the current exceed 15A, automatic recover after 5-10 seconds.





Warning

To make your baby safety driving, you must pay attention at the below warning:

1. Assemble and adjust of products must be done by adult, please make children far away the motion parts.
2. Small part in it, not suitable to used by the children under 3 years old!
3. Must correctly use the life belt when children sitting. Never close to fire!
4. The children use this product must be guided by adult, and the guardian can't leave during the use process!
5. Don't allow the children stand or play on the foot pedal(or in the electric car).
6. storage battery charge must done by adult. Please charge first before use this product!
7. To avoid caused hurt children, please make the package materials like plastic bag far away the children! Stifle dangerous!
8. Strictly forbid use any accessories which not provided by manufacturer.
9. Don't use the charge as joys.
10. The max loading of this car is 30KG, can't over load use.
11. The suitable age scope of this car:3-7 years old.
12. The toy can't connect to power supply which exceed the recommend quantity.
13. The toy(complete car) can't be operated when the car is in charging.

Notices at charging

1. When first time use the electric car, must guarantee the positive and negative pole of power supply already correctly connected (the storage battery installed in the engine plate at front of car, attention to differentiate positive/negative pole when connecting, need red to red, black to black). Must guarantee storage battery charged 8 hours, otherwise, it will perpetual damage the storage battery and can't recovery.
2. Plug the DC plug of charger in the charge hole first, then plug the charger in power supply socket.
3. Must charge in time after each 1 hour used, normally charge time from 8 to 12 hours, and each charge time not exceed 20 hours.
4. Charger and storage battery has heating appearance (Below 60°C) during the charging all are normal.
5. If ponding in the connect/plug part then can't charge, otherwise maybe caused short circuit.
6. This electric car must use the charger and storage battery configured with this car, to avoid damage the charge and storage battery or electric circuit.
7. At least one time charge monthly. When long time not use the electric car, please plug out the connect/plug part of storage battery.

Use notices

1. Please check whether all parts installed on position, tightly connected before use.
2. Can't use in the dangerous area like street, road, slope and ditch, etc.
3. Please don't used on smooth ground, example marble, ground tile, etc.
4. Don't shift forward/backward switch during the electric car running. Pay attention don't allow children stand on the seat.
5. Don't change the circuit and additional device with electric of this car.
6. The remote controller and electric car can't be used in raining or water, don't drop the water or other liquid on the car or other place to make it soaking and far away the fire source, to avoid caused circuit damaged.
7. Electric car stop running when touched hinder, please leave the hinder then running.
8. Don't use in room to avoid crack up the furniture even though the children tumble.
9. When the quantity of electricity of battery of remote controller not enough, the complete car occur only can remote forward, can't remote left/right direction, short remote distance and shake, please renewal battery in time.
10. Please shut off the power supply switch during not use, please plug out the connect/plug parts of storage battery.
11. This product limit rid one people, can't over load, the max load is 30kg.

Note: the product picture, functional and introduce in this specification only for reference, project to the physical entity.

Maintenance

- 1.To guarantee your baby not be hurt unexpected, please frequently check and maintain this car.
- 2.Check whether package assemblies are complete before assemble it, contact us immediately if short.
- 3.Fix time check whether has screws loose, part damaged.
- 4.Please frequently check whether it intact when install or use every part.
- 5.When do disassembling, please operating according to the operating specification carefully, to avoid caused unnecessary damage.
- 6.Please fix time check product and used charger, check whether wire, plug, outer shell and other parts damaged, should stop use if found damaged, till repair well.
- 7.Please fix time do cleaning handle at this product, fill lubricating oil at rotating parts. Attention not damage the electric elements, don't use water washing, use dry cloth wipe.